



HP Color LaserJet M9040/M9050 MFP



Increase the productivity in your workplace with a well-rounded workhorse suited to diverse business environments.

Demanding workgroups of 30 to 50 users benefit from a centralized printing environment featuring up to 11 by 17 inch general office printing, copying, scanning, and optional faxing. Meet your needs with fast, high-volume, cost-effective printing and copying, digital sending, automatic two-sided printing, and advanced finishing options.

Saves time and effort

The HP LaserJet M9040/M9050 MFP includes a host of different features that let you perform office functions more easily. The Easy Select Control Panel provides an intuitive, consistent user experience across the HP lineup.

Use the dual-head color scanner on the automatic document feeder (ADF) to copy and scan double-sided originals. Reduce printing costs, save time, and make paperwork more manageable with automatic two-sided printing and copying.

Get more done with lightning-fast printing and copying speeds of up to 50 pages per minute (ppm) for the HP LaserJet M9050 MFP (up to 40 ppm for the HP LaserJet M9040 MFP).

Increases productivity

Save time and get professional-looking results with a variety of paper-handling and finishing options. The device's adjustable, high-capacity paper trays feature automatic media size detection for accurate printing. Choose one of four available output solutions, including the eight-bin mailbox, stacker, stacker/stapler, or multifunction finisher.

Use the included scan to e-mail and additional digital sending features to transform document workflow processes with fast, easy conversion of paper-based documents into electronic files.

Print and scan wide-format documents such as spreadsheets or architectural drawings with the 11 by 17 inch printing capabilities of this versatile MFP. The color scanner delivers 600 by 600 dots per inch (dpi) for high image quality.

Extend the MFP's capabilities by adding third-party solutions such as integrated capture, job accounting, and security solutions. Or add the optional HP LaserJet MFP Analog Fax Accessory 300 to send and receive documents with ease.

HP LaserJet reliability

Enjoy the reliability that you've come to expect from the HP LaserJet brand, along with the convenience of multiple functions in one device. Consistently produce all your business documents with industry-leading print quality.

HP LaserJet M9040/M9050 MFP

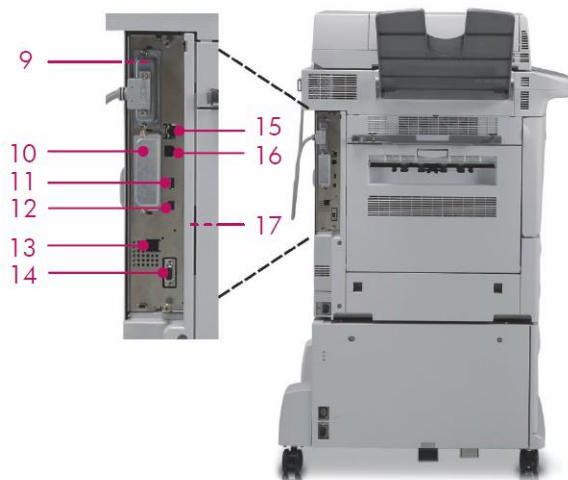
- 1 100-sheet ADF supports copying and scanning of double-sided originals
- 2 One-door access to the easy-to-replace print cartridge
- 3 Choose the 8-bin mailbox, 3,000-sheet stacker, 3,000-sheet stapler/stacker, or multifunction finisher (stapling, stacking, and booklet-making) finishing output solution¹
- 4 Intuitive, graphical touch-screen display with a time-saving help function
- 5 100-sheet multipurpose tray for specialty papers
- 6 Built-in automatic two-sided printing and copying
- 7 500-sheet input trays 2 and 3
- 8 2,000-sheet input tray 4 for a 3,100-sheet total input capacity

HP LaserJet M9050 MFP shown with optional 3,000-sheet stacker



Front view

- 9 A powerful 533 MHz processor and 384 MB memory, upgradeable to 512 MB
- 10 One available EIO slot
- 11 Host USB port for additional functionality
- 12 Hi-Speed USB 2.0 device port
- 13 Optional HP LaserJet MFP Analog Fax Accessory 300
- 14 Jetlink connection for paper handling device
- 15 HP Jetdirect Gigabit Ethernet Embedded Print Server
- 16 Foreign Interface Harness
- 17 Embedded hard disk



Left side view

Choose the paper output solution that fits your business¹



8-bin Mailbox

Q5693A—Assign each mailbox bin to an individual, workgroup, or department, or use it as a sorter/collator, stacker, and job separator.



3,000-sheet Stacker

C8084A—Stack up to 3,000 sheets of paper with job offset.



3,000-sheet Stacker/Stapler

C8085A—Get 3,000-sheet stacker capabilities as well as multi-position stapling for up to 50 sheets of paper per job.



Multifunction Finisher

C8088B—Stack 1,000 sheets, staple up to 50 sheets per job, fold sheets into booklet sets, and get folding and saddle stitching.

¹ One output solution option must be ordered.

Users can count on reliable, impressive printing while administrators enjoy easy, comprehensive management.



Consistent, high-quality output

Make a great first impression with true 1200 dpi and Resolution Enhancement technology (REt). Original HP toners and papers are designed to work with each other and with the device's high speeds—so you get crisp and consistent print quality without sacrificing performance.

Experience worry-free operation and continually refresh your MFP with Original HP print cartridges with Smart Printing Technology. They communicate with the MFP to automatically optimize print quality and provide alerts when supplies need to be reordered. Just choose your preferred reseller and place your order through HP SureSupply.²

Simple management

Easily manage your MFP with HP Web Jetadmin, HP's comprehensive fleet management tool. Install, configure, monitor, and troubleshoot a variety of printing and imaging devices—and manage consumables—from anywhere on the network. The HP Embedded Web Server allows you to manage printing functions from your computer instead of from the control panel.

Large workgroups can count on reliable, efficient sharing with HP Jetdirect networking. HP Universal Print Driver solutions provide easy, familiar, and consistent setup and operation across a network for HP printing and imaging devices.

Optional HP Digital Sending Software allows you to send digitized information quickly and securely to network folders, printers, and fax services.

Get the most out of your MFP with HP accessories, supplies, and services.

HP Support Services

Minimize the cost of downtime

Because MFP downtime can have serious business consequences, HP provides high-quality services that extend beyond the standard warranty.

No one knows printing and imaging services better than HP

HP is the most recognized name in printing with one of the world's largest services organizations. Our 69,000 service professionals in 170 countries can help you reduce infrastructure costs, avoid unbudgeted repair costs, and fix problems quickly. With expert technical phone support and predictable, consistent service delivery across multiple locations, we'll help keep your business operations running smoothly.

Choose from the following services:

- **Installation Service with Network Configuration:** expert assembly of HP accessories, hardware verification, network configuration, and basic administrator familiarization
- **Same Day Onsite Service:** technician arrives at your site within four hours after service call is received, if this time falls within the coverage window
- **Next Day Onsite Service:** technician-delivered onsite service the next business day after the service call

Any of the above options can be purchased as:

- **HP Care Pack Services:** easy-to-buy, easy-to-use support packages
- **HP Contractual Services:** a comprehensive portfolio for maintaining maximum IT availability

HP also offers:

- **Managed Print Services:** a scalable solution providing everything from imaging and printing devices and toner cartridges, to installation, management, maintenance and support.

For more information visit: www.hp.com/go/printservices.

Original HP print cartridges with Smart Printing Technology³

HP LaserJet Black Print Cartridge C8543X

Paper handling (one output solution option must be ordered)

8-Bin Mailbox Q5693A

3,000-sheet Stacker C8084A

3,000-sheet Stacker/Stapler C8085A

Multifunction Finisher (stapling, stacking, and booklet-making) C8088B

Accessories

HP LaserJet MFP Analog Fax Accessory 300 Q3701A

HP Digital Sending Software (DSS) 4 T1936AA

Supplies

Staple Cartridge for 3,000-sheet Stacker/Stapler C8091A

Staple Cartridge for Multifunction Finisher C8092A

HP Printer Maintenance Kit (110V) C9152A

HP Printer Maintenance Kit (220V) C9153A

Memory/storage

HP 256 MB 100-pin DDR DIMM Q7719A

HP high-performance embedded hard disk J7989G

Connectivity

HP Jetdirect 635n EIO Print Server J7961G

HP Jetdirect 690n Wireless Print Server J8007G

Service and support

3-year, Next Business Day, Onsite Service H7700E

3-year, 4-hour, 13 by 5, Same Day, Onsite Service U2019E

On-site Installation and Network Configuration U2014E

Maintenance Kit Replacement Service, Fuser U9877E

1-year, Post-warranty, Next Business Day, Onsite Service U2020PE

1-year, Post-warranty, 4-hour, 13 by 5, Same Day, Onsite Service U2052PE

1-year, Post-warranty Phone and Online Assistance UD628PE

Paper

www.hp.com/go/paper

1-800-477-5010

Solutions

www.hp.com/go/gsc

² For more information, visit www.hp.com/learn/suresupply.

³ Declared yield value in accordance with ISO/IEC 19752. Actual yields vary considerably based on images printed and other factors. Please visit www.hp.com/go/learnaboutsupplies.

HP LaserJet M9040/M9050 MFP

Technical specifications	HP LaserJet M9040 MFP (CC394A)	HP LaserJet M9050 MFP (CC395A)
Print and copy speed⁴	Up to 40 ppm	Up to 50 ppm
Document delivery speed	First page out: less than 8 seconds from Ready, letter	
Resolution	600 by 600 dpi; HP FastRes 1200 (1200 dpi quality); HP RET technology	
Features		
Copying	Up to 999 multiple copies, reduce/enlarge from 25 to 400% (from scanner glass), two-sided copying, contrast adjustments, image adjustment, content orientation, N-up, optimize text/picture, crop, move, hide	
Scanning	Color flatbed scanner and ADF, up to 11.7 by 17 in; scan input modes: front-panel scan, copy, fax (optional), e-mail; file types: PDF, JPG, TIFF, MTIFF	
Digital sending	Standard: scan to e-mail; optional: send to folder, authentication, send to LAN Fax, send to printer, send to application; file types: PDF, JPG, TIF, MTIF	
Faxing	Via optional HP LaserJet MFP Analog Fax Accessory 300: Up to 33.6 kbps, fax forwarding, fax polling, broadcasting (to up to 100 locations), speed dial (up to 100 lists), auto redialing, Windows faxing supported, fax memory depends on the free storage on the hard drive, telephone mode supported	
Processor	533 MHz	
Memory	384 MB, expandable up to 512 MB; Memory Enhancement technology (MET)	
Durability ratings	Recommended monthly volume: 15,000 to 50,000 pages ⁵ ; Duty cycle: up to 300,000 pages per month ⁶	
Paper		
Input	100-sheet automatic document feeder (ADF), 100-sheet multipurpose tray 1, 500-sheet trays 2 and 3, 2,000-sheet tray 4	
Output	Choose one finishing output solution: 3,000-sheet stacker, 3,000-sheet stacker with stapler, multifunction finisher, or 2,000-sheet 8-bin mailbox	
Two-sided printing	Automatic	
Sizes	ADF: letter, legal, executive, tabloid; 5.8 by 8.3 in to 11.7 by 17 in; Multipurpose tray 1: letter, legal, executive, tabloid, JPostD; 3.9 by 7.5 in to 12.3 by 18.5 in; Trays 2, 3, and 4: letter, letter-R, legal, executive, tabloid; 5.8 by 8.3 in to 11.7 by 17 in; Duplex: letter, letter-R, legal, executive, tabloid	
Weights	Multipurpose tray 1: 16 to 58 lb bond; input trays 2, 3, and 4: 16 to 53 lb bond	
Types	Paper (bond, color, letterhead, plain, preprinted, prepunched, recycled, rough), transparencies, labels, cardstock	
Connectivity		
Interfaces	Hi-Speed USB 2.0 device port, HP Jetdirect Gigabit Ethernet Embedded Print Server, embedded hard disk, 1 open EIO slot, Jetlink connection for paper handling device, Host USB port for additional functionality, 1 Foreign Interface Harness	
Languages and fonts	HP PCL 6, HP PCL 5e, HP postscript level 3 emulation, direct PDF printing (v1.3) with at least 128 MB memory enabled, XHTML-Print v0.95, HP PJI (Printer Job Language), PML (Printer Management Language); 80 internal scalable TrueType fonts; additional font solutions available	
Client operating systems	Microsoft® Windows® 2000, XP® Home, XP Professional; Certified for Windows Vista®; OS/2 v3.0 or later; Mac OS 10.2x or later; Linux; AutoCAD	
Network operating systems	Microsoft Windows 2000, Server 2003, XP, Windows Vista, 2003 64-bit, XP 64-bit, Vista 64-bit (for Microsoft IPv6 compatible with Windows 2003, XP, and Vista); Novell 5.1 and later; Mac OS X v10.2, v10.3, v10.4 and later; Red Hat Linux 7.x and later; SuSe Linux 8.x and later; HP-UX 10.20, 11.x, 11.i; Solaris 2.5 and later (SPARC systems only); IBM AIX 3.2.5 and later ⁷ ; MPE-iX; Citrix MetaFrame Server; Windows Terminal Services	
Network protocols	IPv4/IPv6: Apple Bonjour compatible (Mac OS 10.2.4 and later), SNMPv1/v2c/v3, HTTP, HTTPS, FTP, Port 9100, LPD, IPP, Secure-IPP, WS Discovery, IPSec/Firewall; IPv6: DHCPv6, MLDv1, ICMPv6; IPv4: Auto-IP, SLP, TFTP, Telnet, IGMPv2, BOOTP/DHCP, WINS, IP Direct Mode, WS Print; Other: IPX/SPX, AppleTalk, NetWare NDS, Bindery, NDPS, iPrint	
Security	Management security: SNMPv3, SSL/TLS (HTTPS), 802.1X Authentication (EAP-PEAP, EAP-TLS), IPSec/Firewall with Kerberos, Certificate, and PreShared Key Authentication	
Dimensions (w by d by h)	With 8-bin mailbox: 43 by 33 by 48 in; With stacker: 46 by 31 by 47 in; With stacker/stapler: 46 by 31 by 47 in; With multifunction finisher: 51 by 31 by 47 in	
Weight (includes print cartridge)	317 lb (without finishing output solution)	
What's in the box	MFP, 38,000-page black HP LaserJet print cartridge ⁸ ; in-box documentation (Getting Started Guide), software drivers and documentation on CD-ROM, HP DSS demonstration CD, control panel overlay, power cable, 100-sheet multipurpose tray, two 500-sheet input trays, 2000-sheet input tray, choice of output paper handling device, automatic two-sided printing accessory (installed), HP Jetdirect Gigabit Ethernet Embedded Print Server, automatic document feeder	
Warranty	One-year, next day, on-site limited warranty backed by HP Customer Care, service and support; one year technical phone support	
Environmental ranges	M9040: Print: 1022 watts; Copy: 1030 watts; Ready: 331 watts; Sleep 1: 244 watts; Sleep 2: 47 watts; Sleep 3: 30 watts; Off: 2.0 watts Typical Electricity Consumption (TEC): M9050 and M9040: 18.9 kWhr/Week	
Recommended temperature	63 to 77 degrees F	
Storage temperature	32 to 95 degrees F	
Recommended relative humidity	30 to 70 percent	
Storage relative humidity	15 to 90 percent	
Acoustics⁹		
Sound power	Print: 7.0 B(A); Copy: 7.3 B(A); Ready: 5.6 B(A)	
Bystander sound pressure	Print: 54 dB(A); Copy: 58 dB(A); Ready: 41 dB(A)	
Power specifications		
Required input voltage	110 to 127 V (±10 percent), 50/60 Hz (±2 Hz) 220 to 240 V (±10 percent), 50/60 Hz (±2 Hz)	
Power consumption	M9050: Print: 1092 watts; Copy: 1090 watts; Ready: 345 watts; Sleep 1: 255 watts; Sleep 2: 48 watts; Sleep 3: 31 watts; Off: 2.1 watts	
		Certifications Safety: USA (UL-UL 60950; FDA-21 CFR Chapter 1 Subchapter J for lasers); Class 1 Laser/LED Product EMC: CISPR 22: 2005/EN 55022: 2006 Class A, EN 61000-3-2: 2000, EN 61000-3-3: 1995, EN 55024: 1998, FCC Title 47 CFR, Part 15 Class A/ICES-003, Issue 4/GB9254-1998, GB17625.1-2003, EMC Directive 2004/108/EC and the Low Voltage Directive 2006/95/EC, and carries the CE-Marking accordingly HP SureSupply enabled. To learn more, visit www.hp.com/learn/suresupply

⁴ All printed pages originate from the default tray of a HP LaserJet 9050/9040 MFP with high-capacity input trays.

⁵ HP recommends that the number of printed pages per month be within the stated range for optimum device performance, based on factors including supplies replacement intervals and device life over an extended warranty period.

⁶ Duty cycle is defined as the maximum number of pages per month of imaged output. This value provides a comparison of product robustness in relation to other HP LaserJet or HP Color LaserJet devices, and enables appropriate deployment of printers and MFPs.

⁷ Requires software from the NOS vendor.

⁸ Declared yield value in accordance with ISO/IEC 19752. Actual yields vary considerably based on images printed and other factors. Please visit www.hp.com/go/learnaboutsupplies.

⁹ Values subject to change. See www.hp.com/support/ljm9050 for current information. Power reported is the highest value measured for printing and copying using all standard voltages.



Linux is a U.S. registered trademark of Linus Torvalds. Microsoft, Windows, and Windows XP are registered trademarks of Microsoft Corporation. Windows Vista is either a registered trademark or trademark of Microsoft Corporation in the United States and/or other countries.

© Copyright 2008, 2010-2011 Hewlett-Packard Development Company, L.P.

The information contained herein is subject to change without notice. The only warranties for HP products and services are set forth in the express warranty statements accompanying such products and services. Nothing herein should be construed as constituting an additional warranty. HP shall not be liable for technical or editorial errors or omissions contained herein.



To learn more, visit www.hp.com

4AA1-6964ENUC, January 2011, Rev. 3